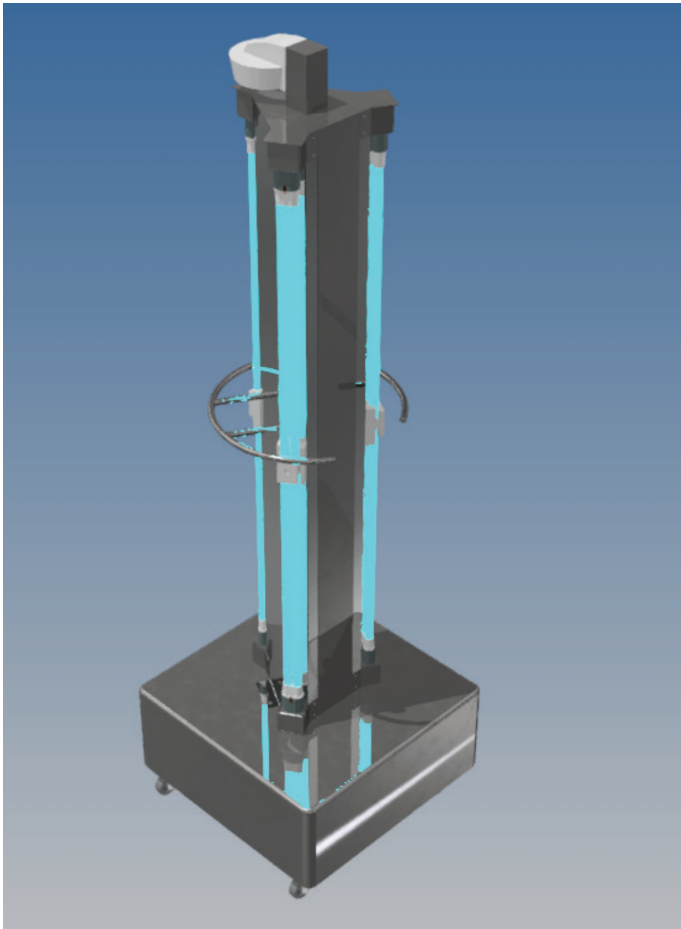


## UV-C Whole Room Decontamination



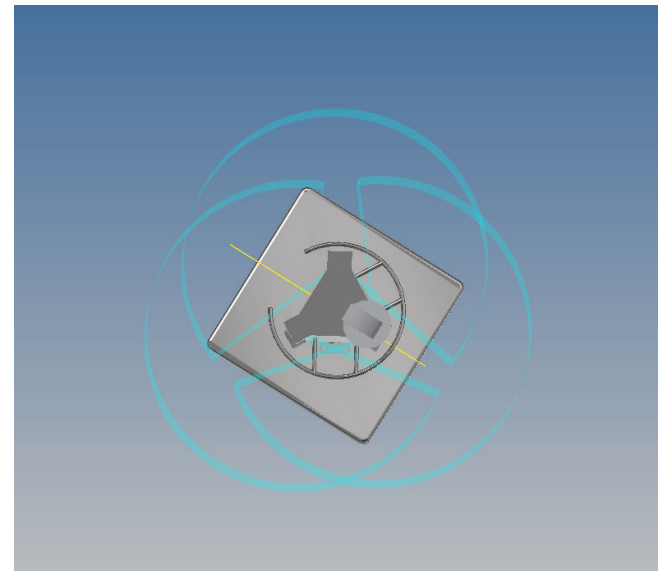
Mobile decontamination unit for disinfection of air and surfaces within rooms to reduce bacteria, viruses and other contamination.

- High UV-C output at 254 nm
- Coverage up to 120 m<sup>3</sup>
- Includes 6 x high output UV-C germicidal tubes
- Motion sensor to prevent personal exposure

Independent research data shows that Corona viruses in general are sensitive to UV-C light. When comparing the data to the UV-C irradiance measurements taken from our UV-C Whole Room Decontamination Unit, it allows us to calculate an exposure time required to reduce contamination.

Just a 12 minute cycle can offer a 90 – 99.9% reduction of Coronavirus within a 120 m<sup>3</sup> room. Multiple positioning and cycles may be required to reduce shadow areas depending on the size and layout of the room or area.

There can be no personal exposure to the eyes or skin, so should be operated in unoccupied spaces. Should the motion sensors detect any movement the run cycle will be paused.



### Technical Information

UV source	6 x 95 W high output UV-C emitters
Emitter life span	9,000 hours
Wavelength	254 nm
Power	620 W approx.
Power requirements	220 – 240 V (50 – 60 Hz)
Construction material	Stainless Steel 316
Weight	70 Kg approx.
Dimensions	1,640 mm (H) x 500 mm (W)
Rating	IP 56
Lockable castors	Yes
Crash protection	Yes
Motion sensor	300 degrees, 2 - 30 meters
Shatter proof emitters	Yes

### Dosage Times

Room Size	Minutes
50m <sup>3</sup>	5
80m <sup>3</sup>	7
100m <sup>3</sup>	10
120m <sup>3</sup>	12

Times are based on known Coronavirus dosage requirements and are approximate depending upon room configuration, surface materials, etc.

**UV-C Whole Room Decontamination**

